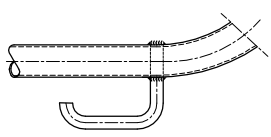
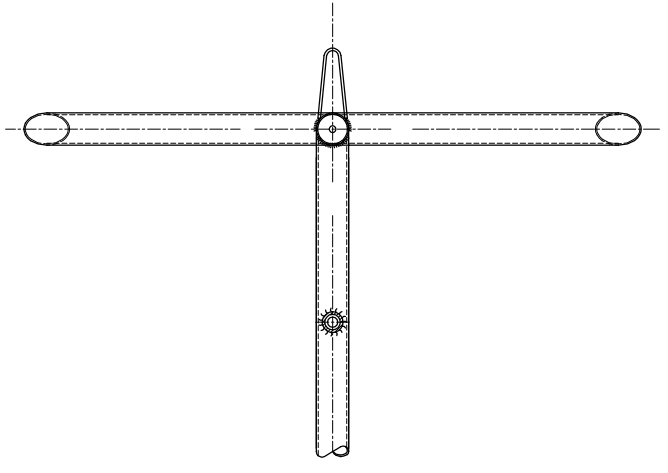
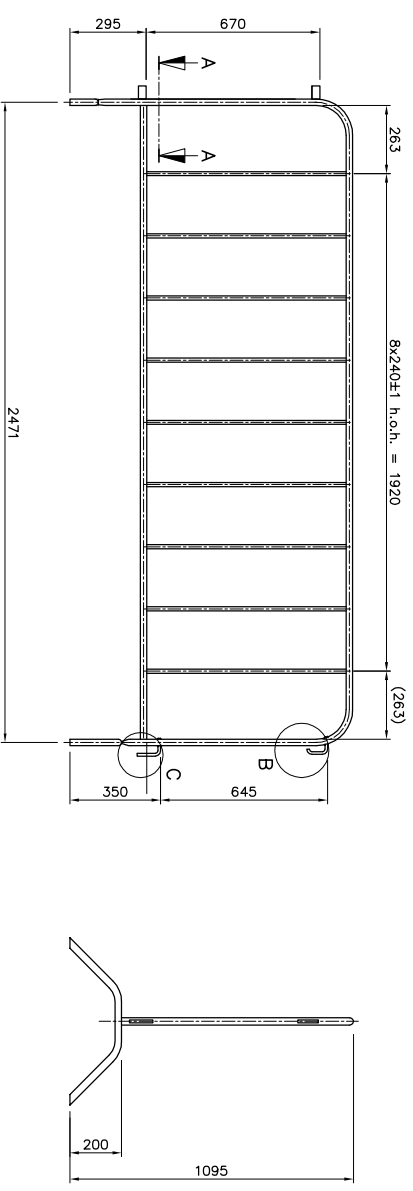
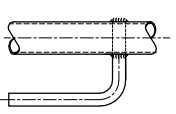


Outside tube : ø 25 x 1,5 mm (3x)  
 Vertical wire : ø 15 x 1,2 mm (3x)  
 Horizontal wire : NA  
 Material : Steel  
 Surface : Galv.  
 Weight : 11 KG



DETAIL B  
Maßstab 1:2



DETAIL C  
Maßstab 1:2

QUERSCHNITT A-A  
Maßstab 1:2

DETAIL C  
Maßstab 1:2

no.	description	unit	quantity
1	1:10	0,02512	
2	1:10	0,02512	
3	1:10	0,02512	
4	1:10	0,02512	
5	1:10	0,02512	
6	1:10	0,02512	
7	1:10	0,02512	
8	1:10	0,02512	
9	1:10	0,02512	
10	1:10	0,02512	

Project: HERAS MOBILE FENCING & SECURITY  
 Drawing title: DRANCHER ø25 mm  
 Order: C:2285

Drawing no.: HMF / A/089 / 0  
 Drawing scale: 1:1  
 Drawing date: 11/11/2023  
 Drawing author: HMF  
 Drawing checker: HMF  
 Drawing approver: HMF  
 Drawing date: 11/11/2023  
 Drawing author: HMF  
 Drawing checker: HMF  
 Drawing approver: HMF

The company is not responsible for the accuracy of the data provided in this drawing. The user must verify the data before using it.