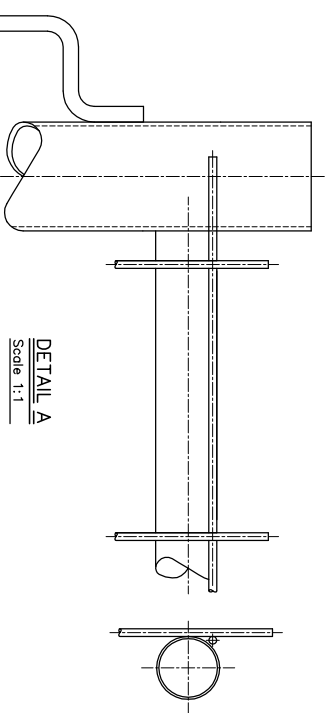
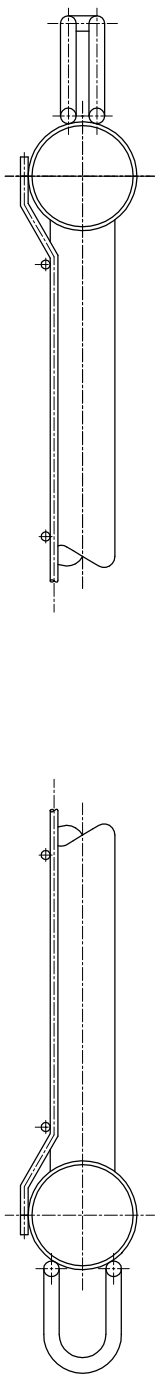
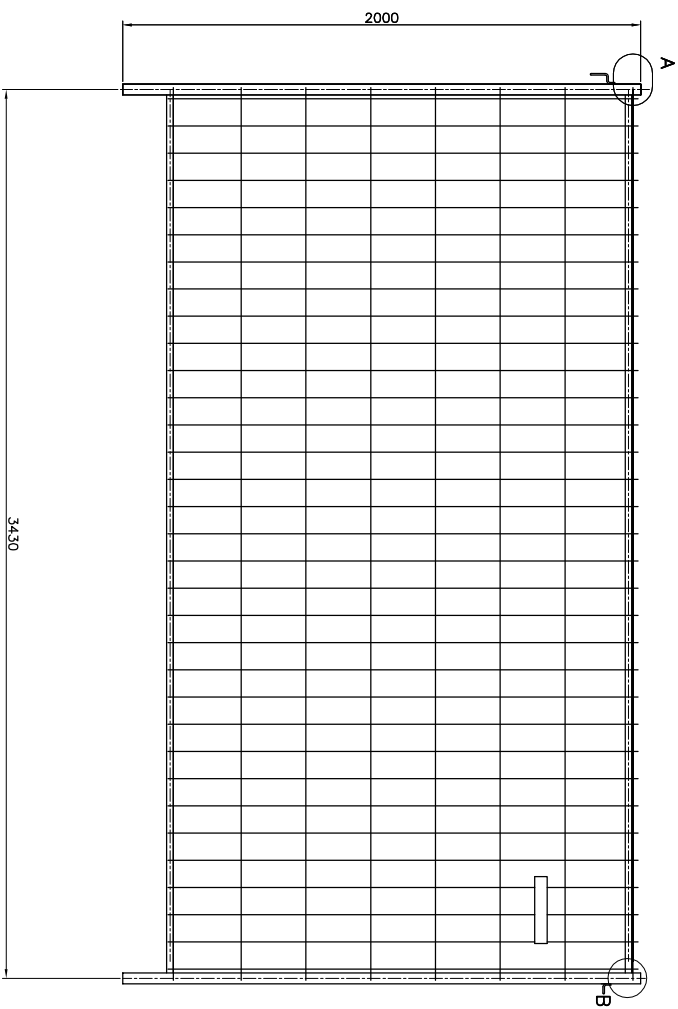


Vertical tube : \varnothing 42 x 1,35 mm
 Horizontal tube : \varnothing 25 x 1,35 mm
 Vertical wire : 3,5x \varnothing 3,0 mm
 Horizontal wire : 8x \varnothing 3,0 mm
 Material : Steel
 Finish : Galvanized
 Weight : 15 kg



DETAIL A
Scale 1:1

DETAIL B
Scale 1:1

no.	description	quantity	unit	remarks
1	Panel 1x10	1	m	
2	Panel 1x2	1	m	
3	Panel 1x1	1	m	

Project: HERAS MOBILE FENCING & SECURITY
 Drawing title: M300 HOOK & EYE

Scale: 1:10
 Drawing by: HIC
 Drawing date: 12/10/2010
 Drawing no: 138 / 0

HERAS MOBILE FENCING & SECURITY
 138 / 0
 15 kg