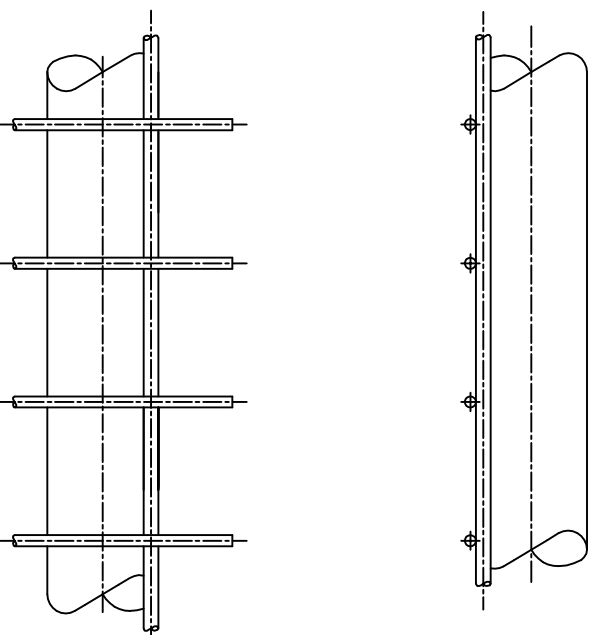
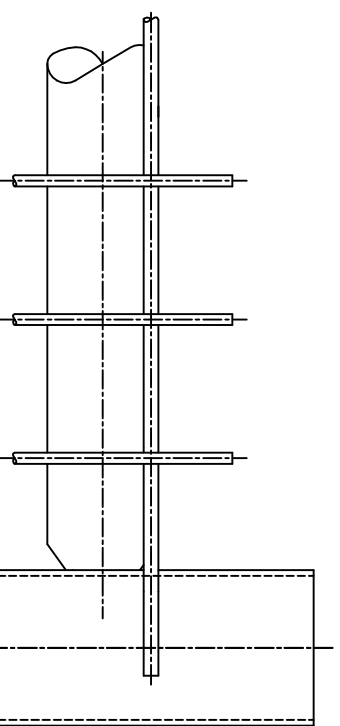
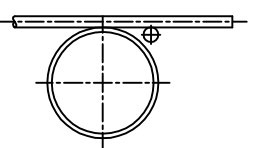


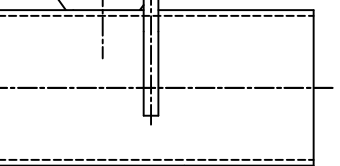
Vertical tube : \varnothing 42 x 1,25 mm
 Horizontal tube : \varnothing 30 x 1,25 mm
 Horizontal wire : 89x \varnothing 3,0 mm
 Horizontal wire : 13x \varnothing 4,0 mm
 Material : Steel
 Surface : Pre galvanized
 Weight : 26 KG



DETAIL A
 Mobstap 1:1



DETAIL B
 Mobstap 1:1



no.	revision	date	scale	drawn by	checked by	unit	mm	project
	1:10	100127		HG	HG	mm		HERAS MOBILE FENCING & SECURITY



P.O. Box 131, 5085 ZJ Oranout
 Phone: +31 (0)495-584948
 Fax: +31 (0)495-578115
 Telex: 51492

drawing title : M500 ANTI CLIMB
 drawing no. :
 HMF A -
 178 / 1
 art.nr.: C011000

This drawing is property of HEBAS. Reproduction or disclosure to third parties is not allowed without explicit written consent of HEBAS.