

**TCT Frontfix
TD 5040018**

Art. No.: 5040018

Weight: 1,8 kg

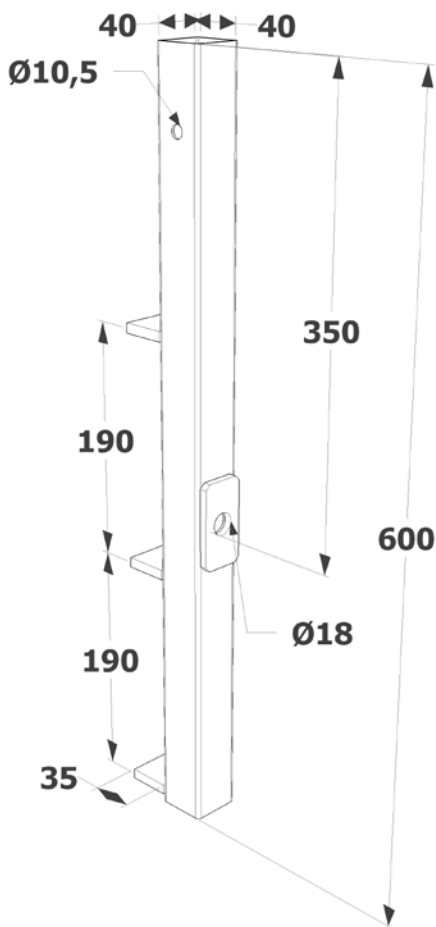
PU: 400 pcs / Euro Box

Measurements/

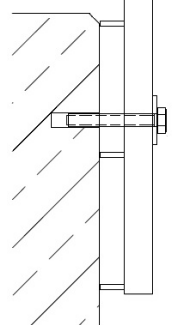
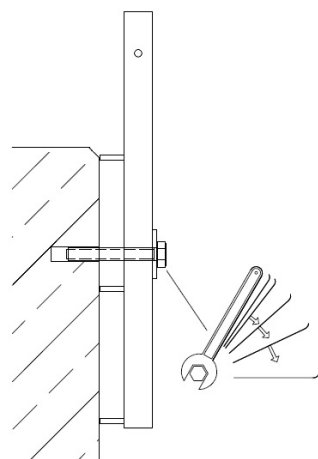
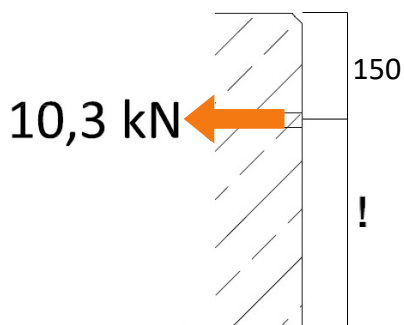
PU: 124 x 84 cm

Weight/PU: 790 kg

According to: EN 13374, class A



Click



[mm]