

Mobiltrappe 6 trin 100 cm - skridsikker & variabel

MOBILHEGN.DK

Stairway 6 steps_100 TD 5061006

Art. No.: 5061006

Weight: 71 kg

PU: 1 Euro Pallet/10 pcs

Measurements

/PU: 245 x 112 cm

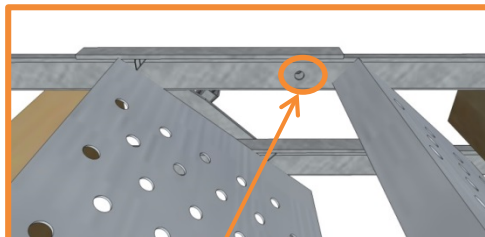
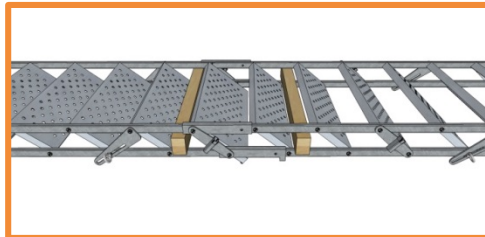
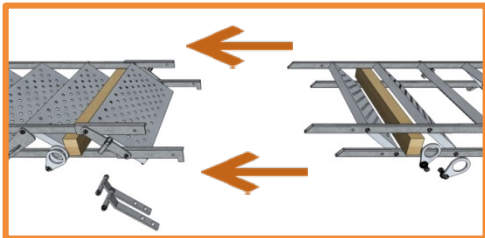
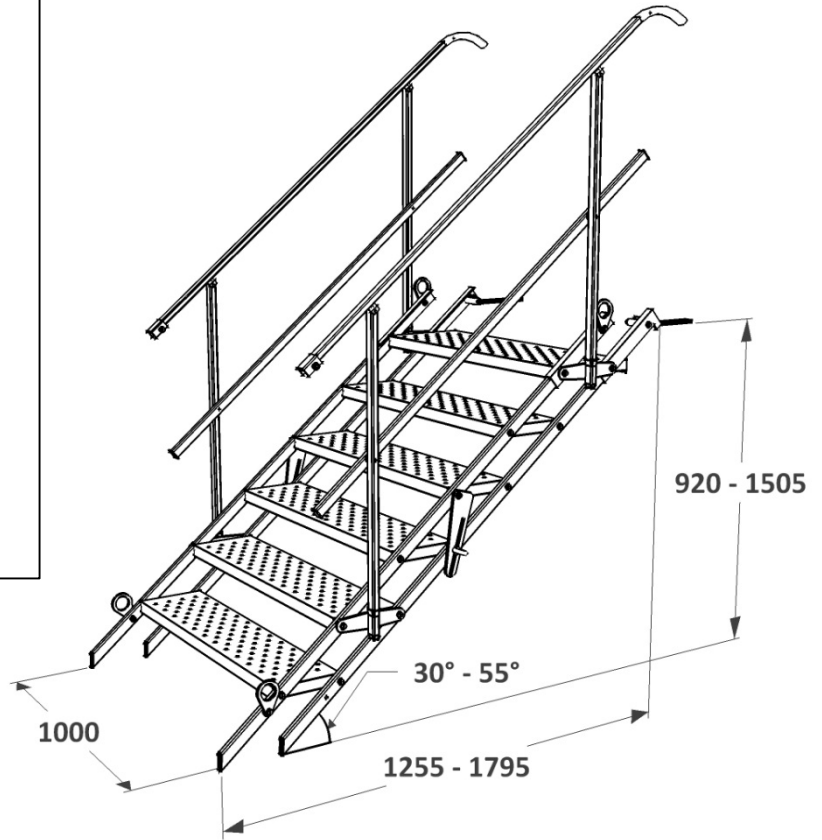
Weight/PU: 730 kg

Min./Max.

Angle: 30° - 55°

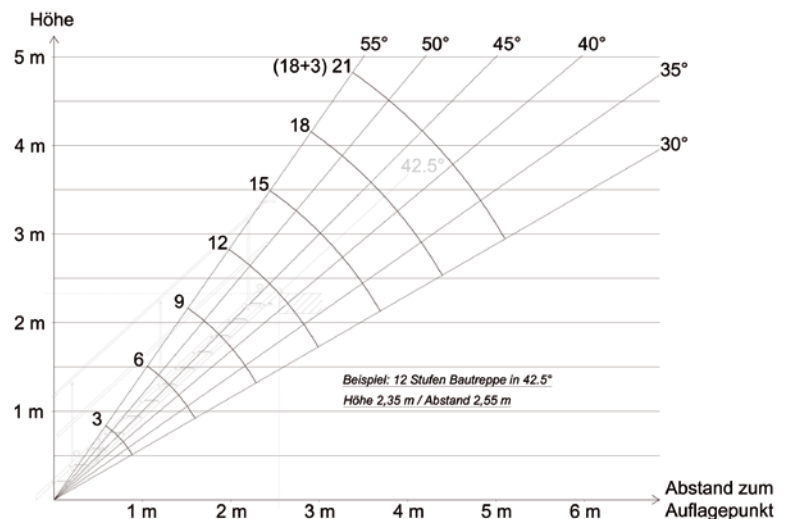
Load capacity: 100 kg/m²

According to: EN 12811



4x

Inclination Diagram



← [mm] →