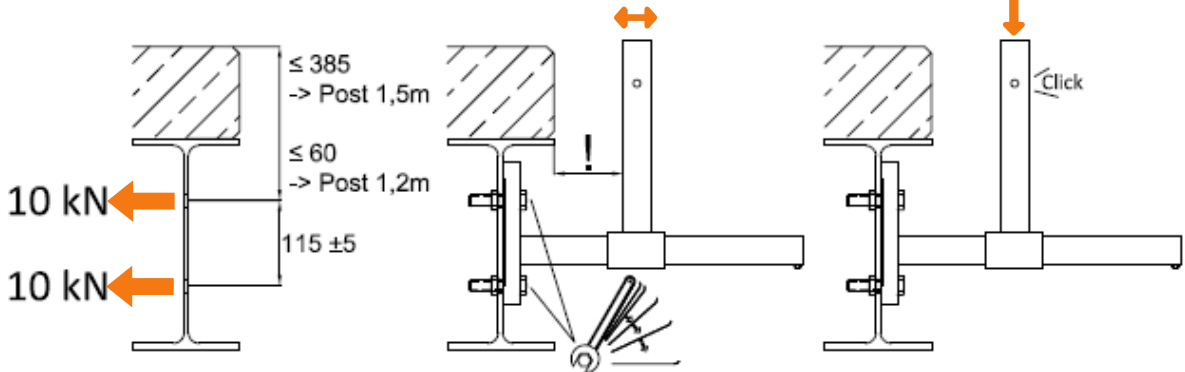
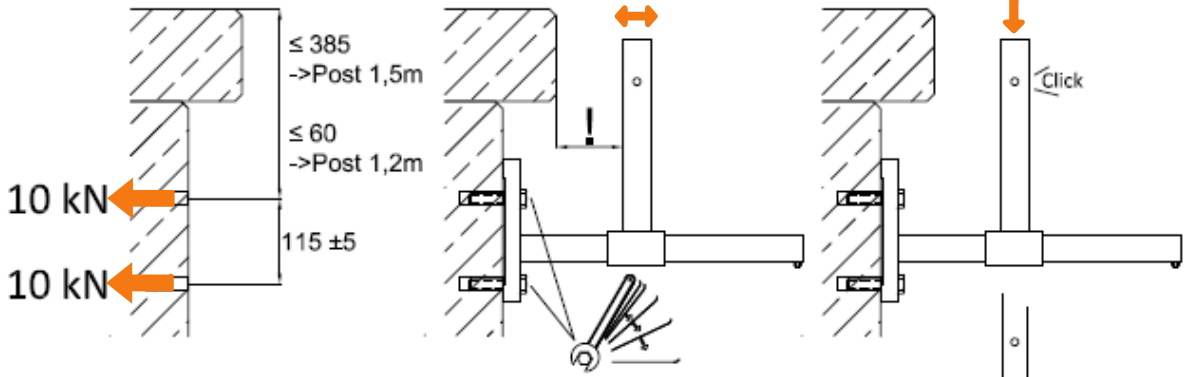
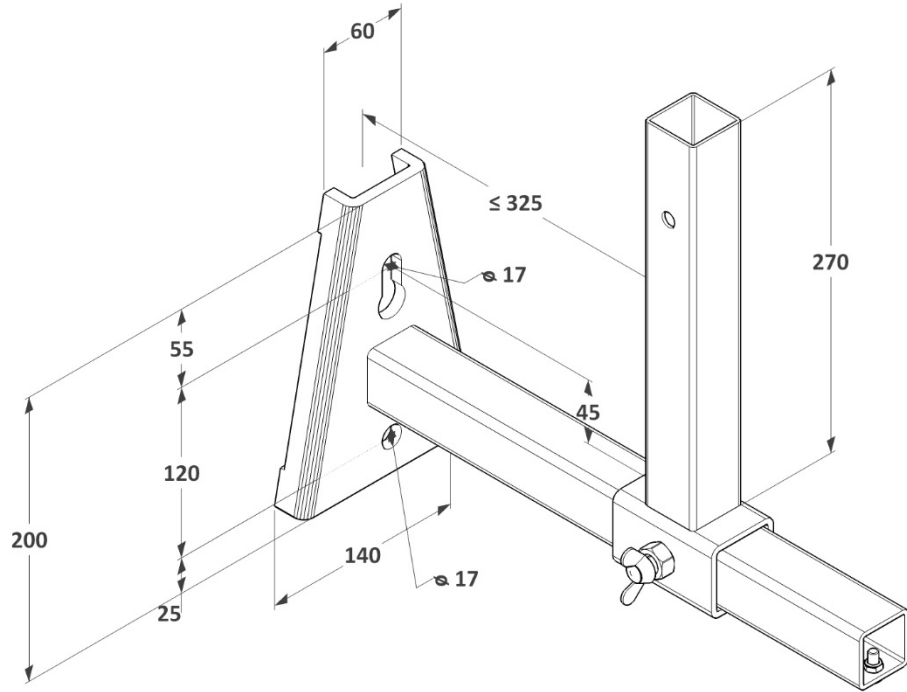


**TCT Steelweb
TD 5040009**

Art. No.: 5040009
 Weight: 3,9 kg
 PU: 75 pcs / Euro Box
 Measurements/
 PU: 124 x 84 cm
 Weight/PU: 362,5 kg
 According to: EN 13374, class A



← [mm] →