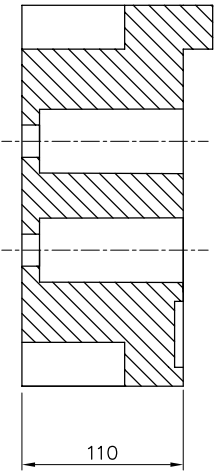
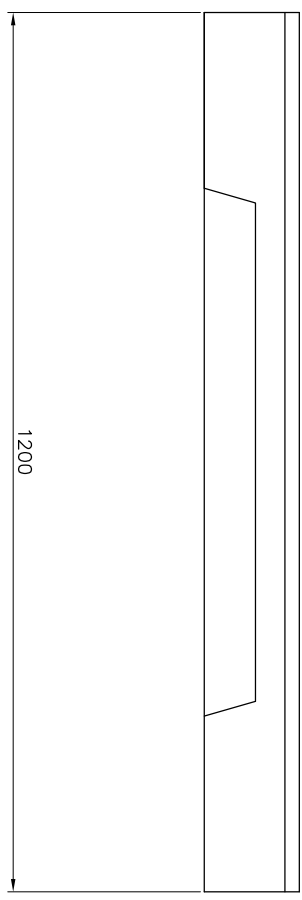
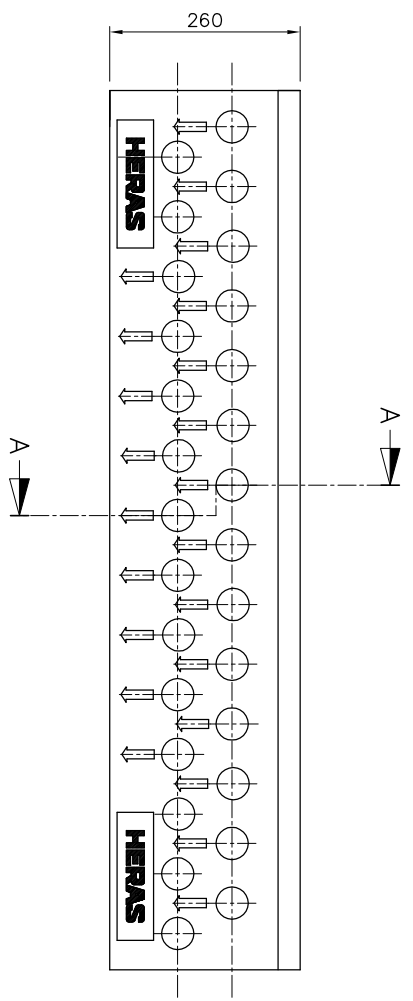


Material : Plastic PE/PP
 Weight : 27 KG

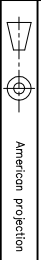


DOORSNEDE A-A
 scale 2:1

no.	revision	date	checked by
1	1:5	020820	
drawn by : HGS		tolerance : ± 3 %	sheet : 1 v 1
checked by : HGS		unit : mm	format : A2



P.O. Box 30, 5688 ZG Oirschot
 The Netherlands
 Phone +31 (0)49-551255
 Fax +31 (0)49-551789



American projection

project : HERAS MOBILE FENCING & SECURITY

drawing title :
 BOUWHEKBOEK KUNSTSTOF

drawing no. : —
 HMF —
 A/045 / 0
 orl.n.r.: G.:2020

This drawing is property of HERSAS. Reproduction or disclosure to third parties in any form whatsoever is not allowed without explicit written consent of HERSAS.
 HERSAS is Bouwhekboek/CAD/Producentorder/HMF/045.dwg