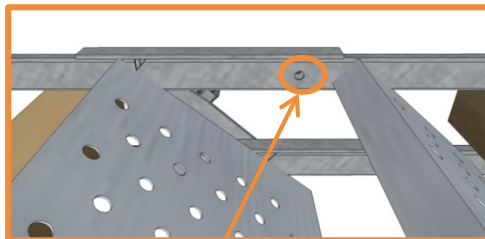
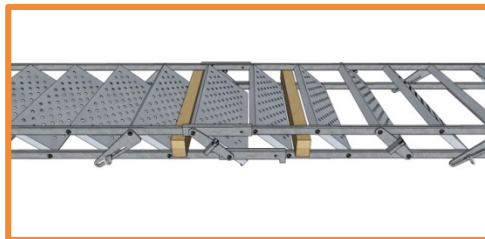
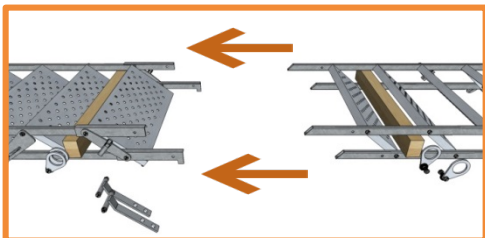
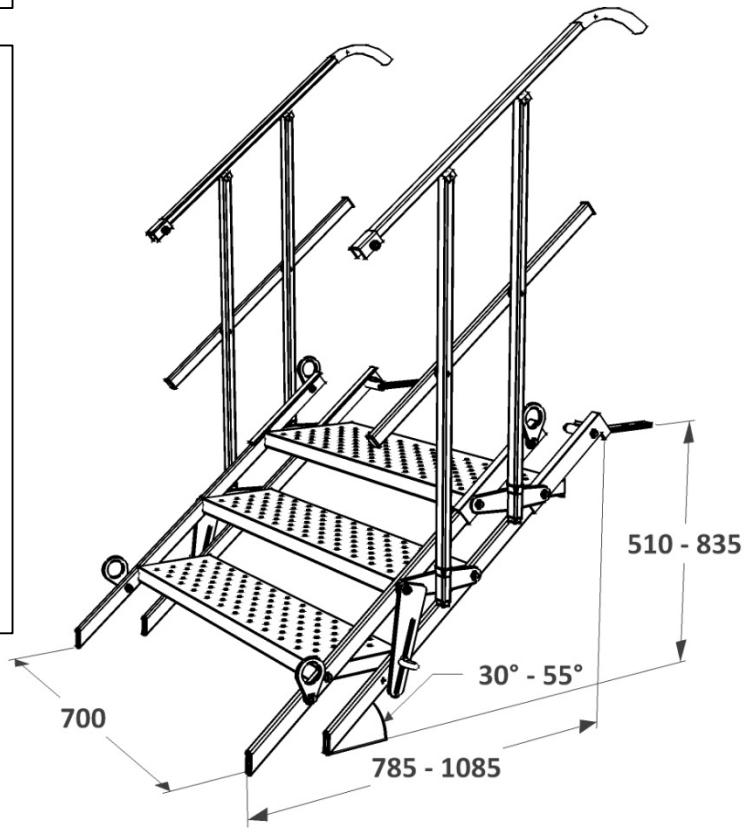


**Mobiltrappe 3 trin 70 cm
- skridsikker & variabel**

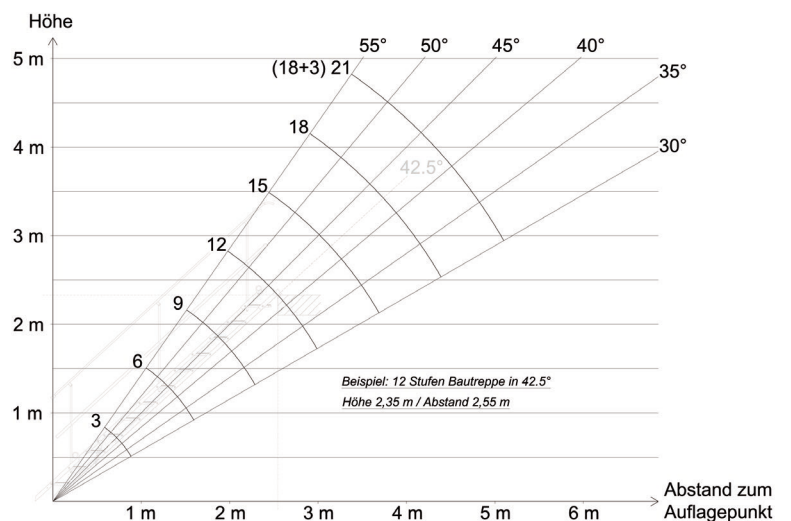
**Stairway 3 steps_70
TD 5060003**

Art. No.: 5060003
 Weight: 39 kg
 PU: 1 Euro Pallet/10 pcs
Measurements
 /PU: 164 x 80 cm
 Weight/PU: 410 kg
 Min./Max.
 Angle: 30° - 55°
 Load capacity: 100 kg/m²
 According to: EN 12811



4x

Inclination Diagram



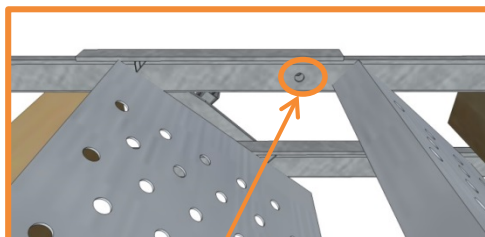
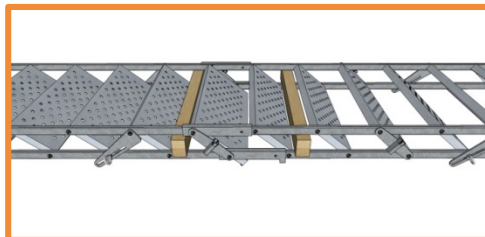
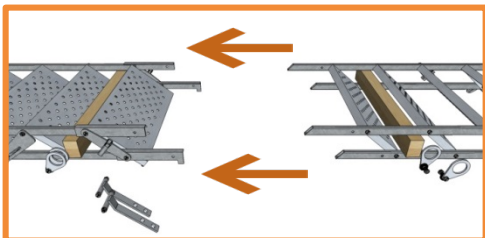
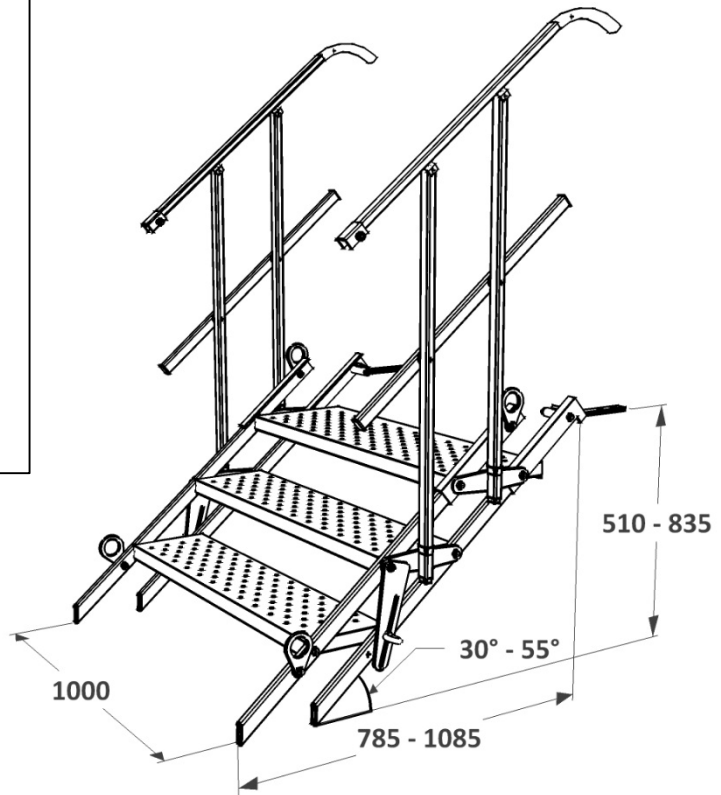
← [mm] →

Mobiltrappe 3 trin 100 cm - skridsikker & variabel

MOBILHEGN.DK

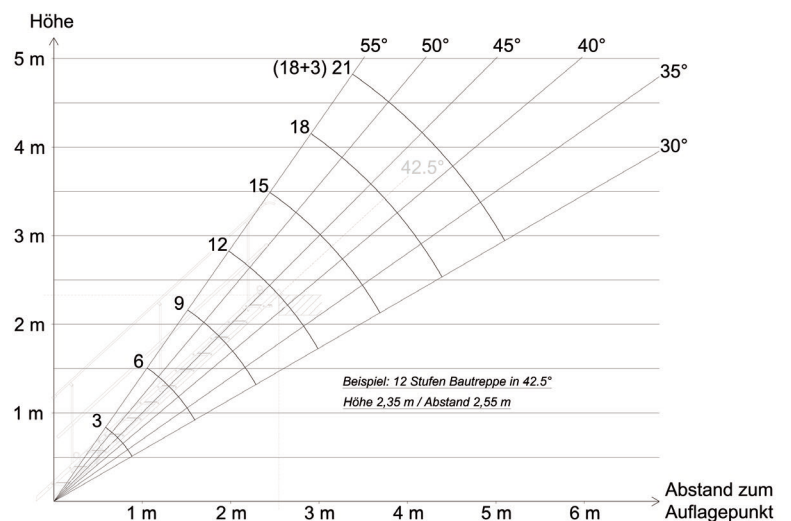
TD 5061003

Art. No.: 5061003
 Weight: 54 kg
 PU: 1 Euro Pallet/10 pcs
 Measurements /PU: 164 x 112 cm
 Weight/PU: 560 kg
 Min./Max. Angle: 30° - 55°
 Load capacity: 100 kg/m²
 According to: EN 12811



4x

Inclination Diagram



← [mm] →