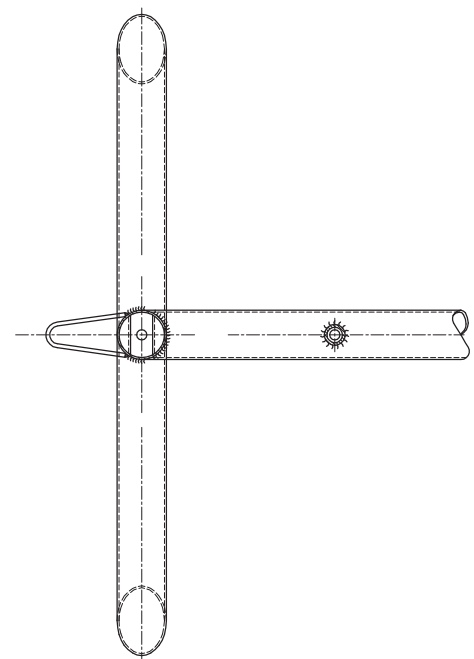
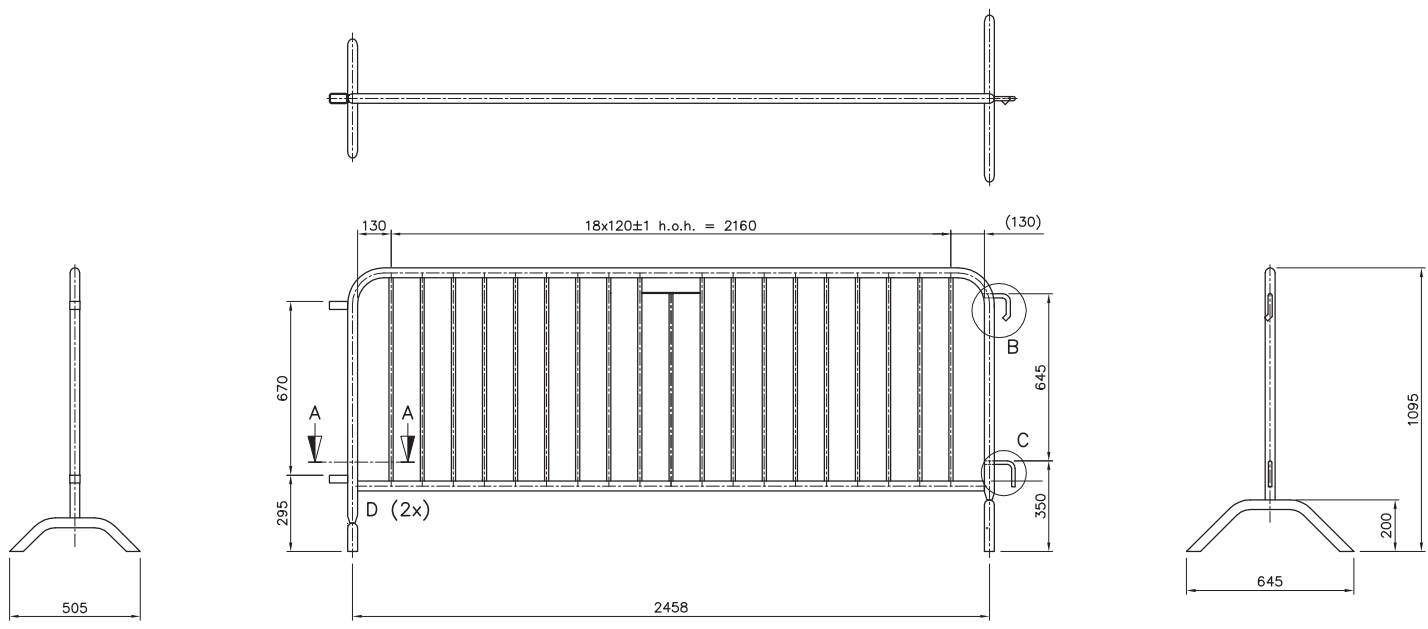
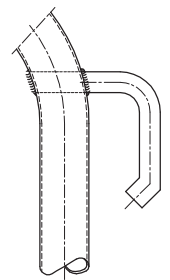


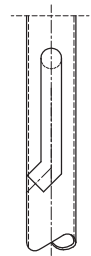
Outside tube : \emptyset 38 x 1,5 mm
 Vertical tube : \emptyset 16 x 1,0 mm (19x)
 Vertical wire : NA
 Horizontal wire : NA
 Material : Steel
 Surface : hot dip galvanized
 Weight : 19 KG



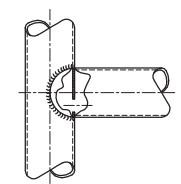
QUERSCHNITT A-A
Maßstab 1:2



DETAIL B
Maßstab 1:2



DETAIL C
Maßstab 1:2



DETAIL D
Maßstab 1:2

no.	revision	name	date	checked by
scale :	1:10	date :	060317	principal :
drawn by :	HG	tolerance :	$\pm 2, \pm 1'$	sheet :
checked by :	HG	unit :	mm	1v1
				format :
				A1
project :				
Publikumshegn, Type M 125				
drawing title :				
DRANGHEK MET NAAMPLAATJE				
drawing no. : — HMFA — 124 / 0				
art.nr.: C_2255				
rev. no.				
American projection				
This drawing is property of HERAS. Reproduction or disclosure to third parties in any form whatsoever is not allowed without explicit written consent of HERAS.				
HERAS G:\BOUWHEK\CAD\VMF\VMFA124.dwg				