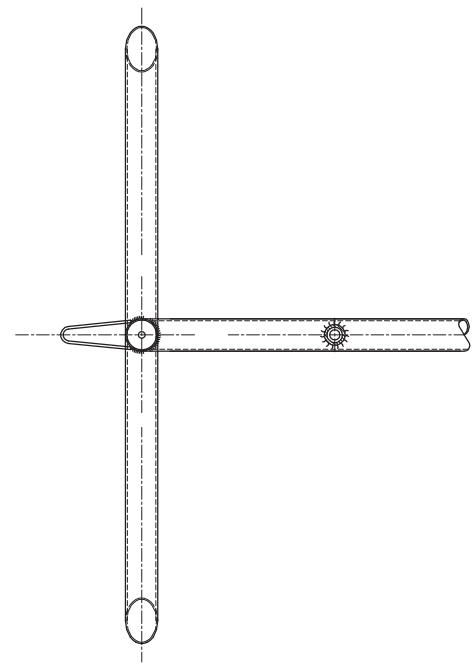
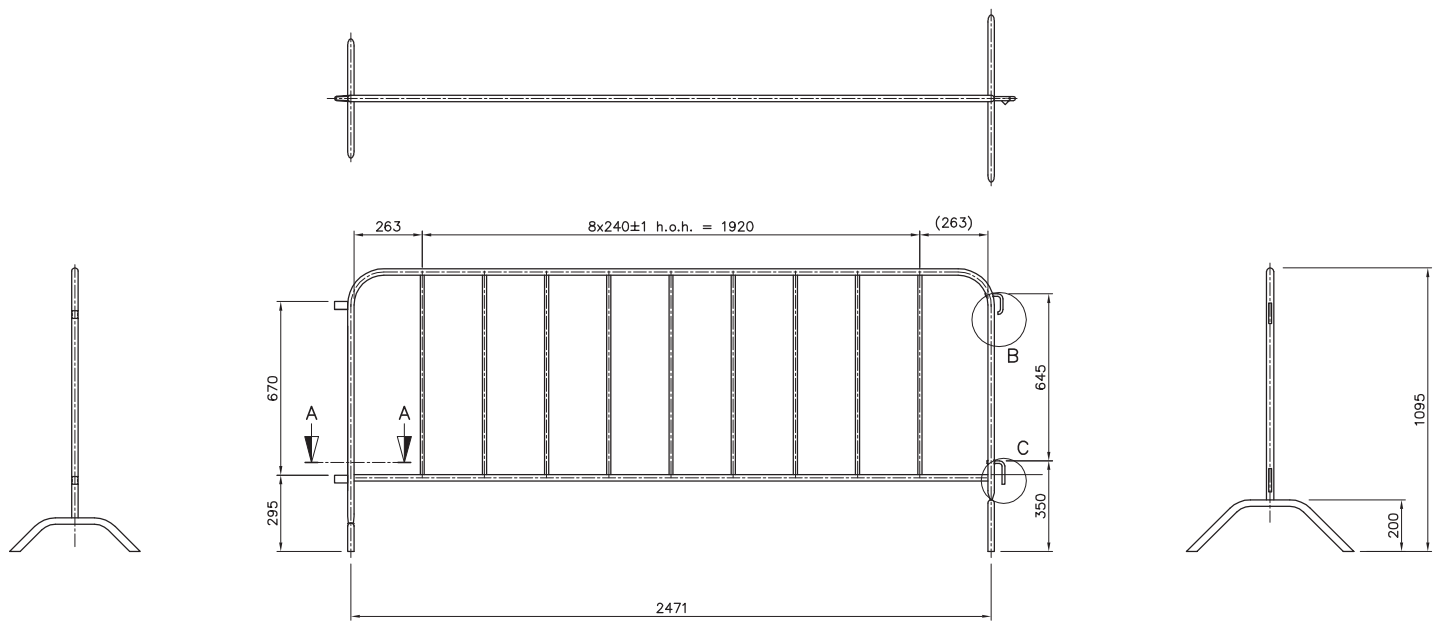
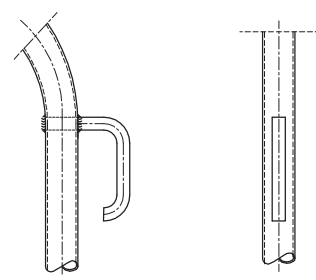


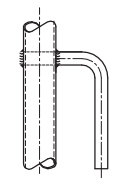
Outside tube : $\varnothing 25 \times 1,5$ mm
 Vertical tube : $\varnothing 15 \times 1,2$ mm (9x)
 Vertical wire : NA
 Horizontal wire : NA
 Material : Steel
 Surface : hot dip galvanized
 Weight : 11 KG



QUERSCHNITT A-A
 Maßstab 1:2



DETAIL B
 Maßstab 1:2



DETAIL C
 Maßstab 1:2

no.	revision	name	date	checked by
scale :	1:10	date :	040512	principal :
drawn by :	HG	tolerance :	$\pm 2, \pm 1'$	sheet :
checked by :	HG	unit :	mm	1v1
				format :
				A1
				project :
				Publikumshegn, Type M 130
				drawing title :
				DRANGHEK $\varnothing 25$ mm
				art.nr.: C_2255
				rev. no.
				— HMF — A/069 / 0
				american projection
				drawing no.
				— HMF — A/069 / 0