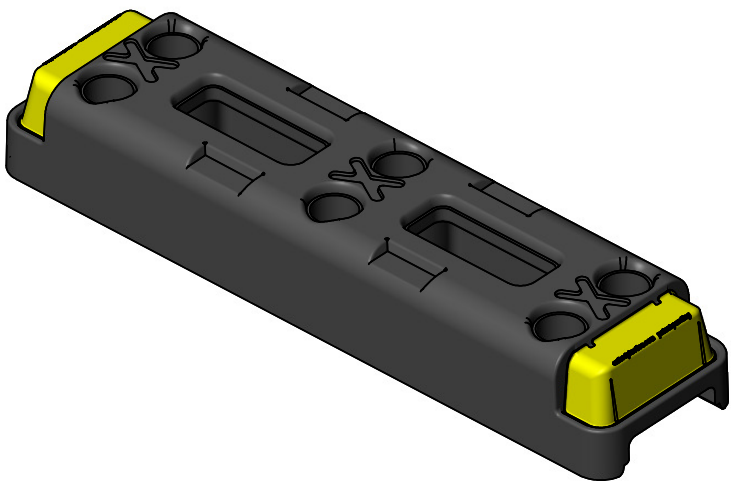
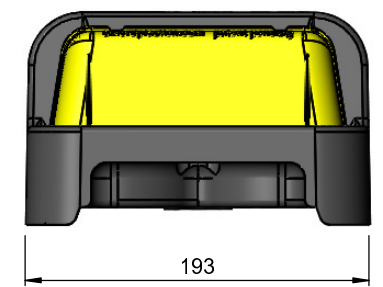
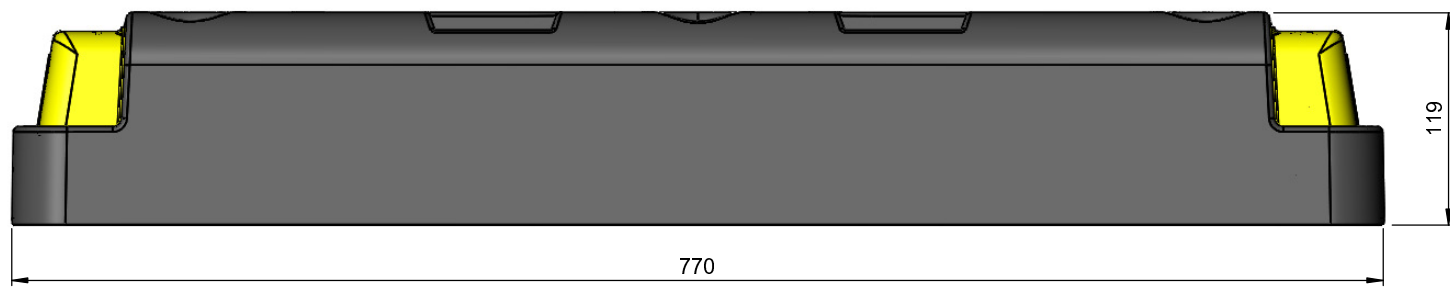
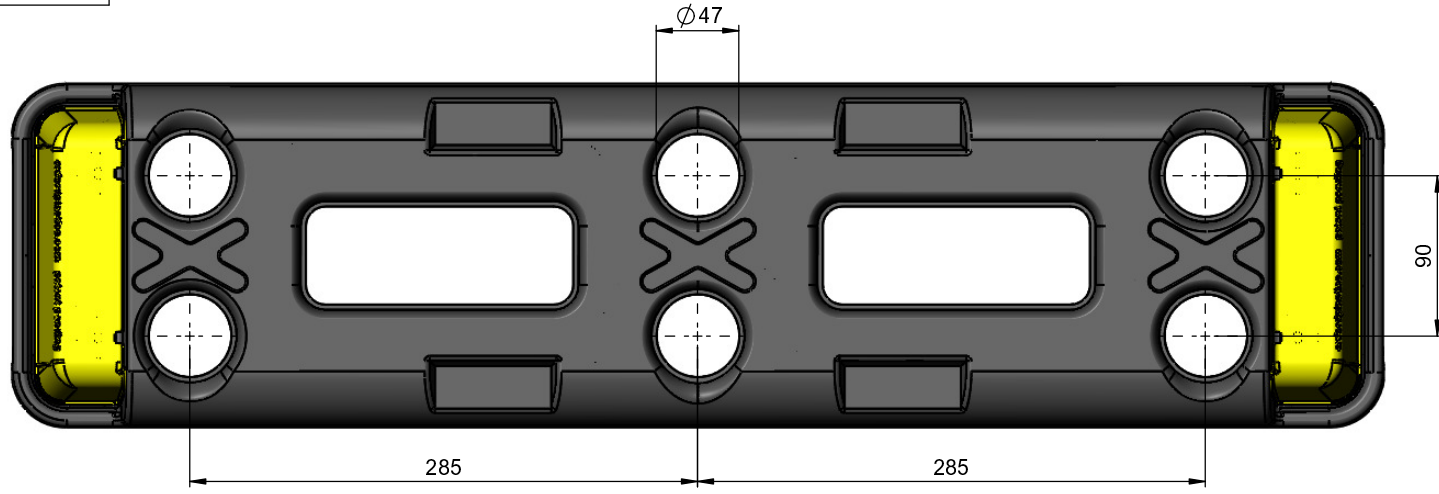


ALL DIMENSIONS IN MILLIMETRES
REMOVE ALL SHARP EDGES

THIRD ANGLE PROJECTION
DO NOT SCALE DRAWING



| 3 | 13/5/16 | ISSUED FOR MANUFACTURE | GC | | |
|-----|---------|------------------------|-----|------|------|
| 2 | 3/5/16 | ISSUED FOR MANUFACTURE | GC | | |
| REV | DATE | DESCRIPTION | DRN | CHKD | APPR |

| TOLERANCES - UNLESS STATED OTHERWISE | | |
|--------------------------------------|---|---------|
| UNTOLERANCED DIMENSIONS | +/- 2mm | |
| CUTTING LENGTHS | +/- 2mm | |
| FABRICATION | UP TO 300mm | +/- 1mm |
| | UP TO 1000mm | +/- 2mm |
| | 1001mm & ABOVE | +/- 3mm |
| | ANGULAR | +/- 1° |
| MACHINING | +/- 0.2mm | |
| GAUGE | +/- 10% | |
| WEIGHT | +/- 10% (DUE TO MATERIAL PROPERTIES & TOLERANCES) | |

| | | | |
|---|-----------|---------|-------------------|
| TITLE: THERMO-PLASTIC FOOT (STD) HI VIS | | | |
| NAME | SIGNATURE | DATE | MATERIAL: |
| G. CRICK | | 12/11/7 | RECYCLED PLASTICS |
| CHK'D | | | |
| FINISH: NONE | | | |

MOBILHEGN.DK
Danmarks billigste mobilhegn - med garanti!

Drw / Stockcode No. **12551030** Revision **3**

THE COMPANY RETAIN THE RIGHT TO PERIODICALLY ALTER INFORMATION WITHIN THIS DRAWING SHEET AND WILL ATTEMPT TO NOTIFY ALL PARTIES CONCERNED OF ANY CHANGES AND THE INFORMATION ON THIS SHEET SHOULD NOT BE REPRODUCED WITHOUT THEIR WRITTEN CONSENT.